

---

# READ THIS FIRST !

## Supplied Items

The PSA-T Series portable spectrum analyzer is made up of three main items:

- The PSA spectrum analyzer unit manufactured by TTI and incorporating a Palm T|X handheld computer.

- The PSAnalyzer software application created by TTI to run on the Palm T|X

- An SD (or MMC) Memory Card for storing and transferring data

The following support items are also provided by TTI:

- Multi-language "Read This First" leaflet.

- Universal mains adaptor/charger.

- USB lead (mini B plug to standard A plug).

- SD/MMC USB Card Reader

- Printed instruction manual (English only).

- Support CD containing **multi-language manuals** and backup software.

- M2.5 security screws to prevent easy removal of the Palm T|X (if required).

- Transparent storage case for memory card.

The PSA-T is supplied with the Palm T|X mounted within it, and the PSAnalyzer software application pre-installed. The memory card is fitted into the Palm T|X.

N.B. The SD/MMC USB Card Reader and other small items may be packed inside the shipping box.

## Language Choice for the Palm T|X

As supplied with the PSA-T, the operating language of the Palm T|X has been set to English. If the user wishes to change this they should read the final section of this leaflet (choices are English, French, German or Spanish). Note that the Spectrum Analyzer software remains in English.

## Charging the Batteries

It is probable that the batteries will be discharged when the product is received. Consequently the first action should be to charge the unit using the AC adaptor/charger supplied by TTI. This charges the complete PSA-T (including the Palm T|X). To fully charge the batteries it should be left connected for at least 3 hours.

---

## Initialising the Palm T|X

If the battery is fully discharged when the unit is received, the Palm T|X handheld computer will have to be re-initialised before the spectrum analyzer can be used.

Charge the unit as described above. After a short period (normally less than 10 minutes) the battery voltage will recover to a point where normal operation is possible. The T|X may then switch itself on automatically, or it may be necessary to turn it on manually (using the green button on the top edge).

At this point a Palm logo will appear on the screen and the unit will reboot (i.e. the operating system will reload) as indicated by moving black bars on the screen. When this is complete the user will be prompted to enter the real-time clock information (date, time and location).

When this has been completed the Palm T|X is ready for use, however it should be left charging for several more hours before disconnecting it from the ac power adaptor.

In exceptional circumstances, the Palm T|X may fail to re-initialise after being re-charged. Should this occur it will be necessary to operate the "Reset" button on the back of the T|X. To do this, remove the T|X from the PSA-T (see later in this leaflet), and use the Palm stylus to press the reset button on the back of the T|X. It should then re-initialise.

## USB connections to a PC (Caution !)

The following applies to both the PSA-T and the Palm T|X by itself. (The mini USB connection on the side of the spectrum analyzer is a direct through connection to the USB port of the Palm T|X).

Although the Palm T|X was designed to be USB connected to a PC using Palm Desktop software, this software is now obsolete and will not work with 64-bit operating systems.

It is NOT necessary ever to link the PSA1301/2701T to a personal computer. It is a self contained instrument which can perform its primary function of RF spectrum analysis without linkage to other devices.

TTi provides a USB linked memory card reader in order that PSAnalyzer files can be transferred to a PC where this is required.

## Using the Spectrum Analyzer

After charging the battery (and initialising the Palm T|X if required) it will then be possible to use the Spectrum Analyzer by launching the PSAnalyzer application.

**TTi strongly recommends that you should read the full manual before attempting to use the PSA-T.**

The manual includes a "quick start" guide to PSAnalyzer in addition to the full operating instructions.

## Trouble Shooting

In the event of problems, the PSA-T manual contains a trouble shooting section.

---

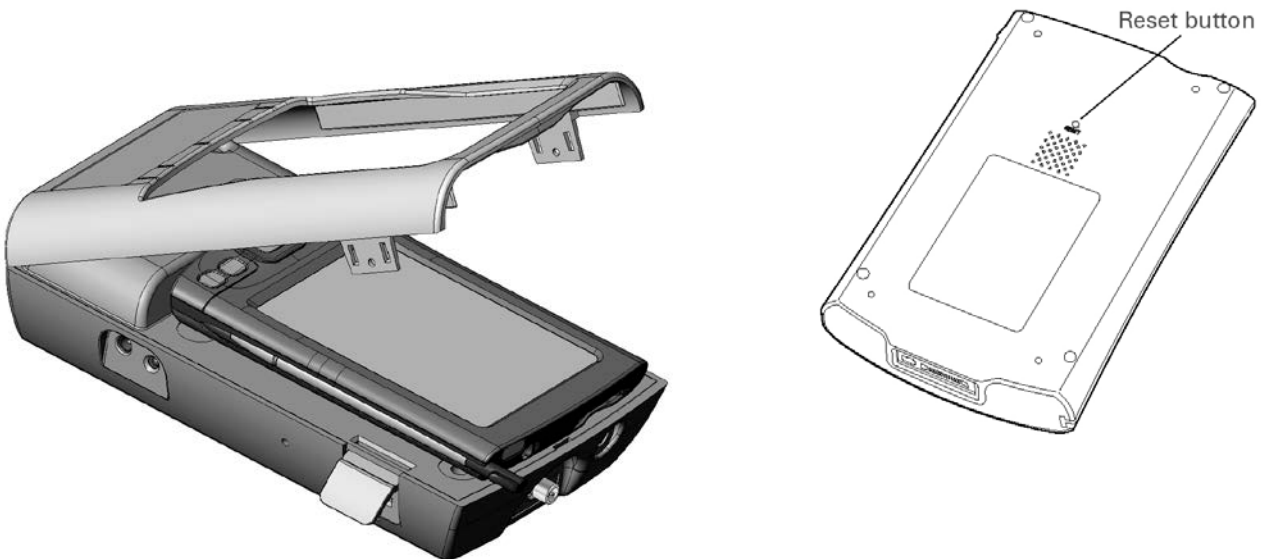
## Changing the Language for the Palm T|X

As supplied with the PSA-T, the language for the Palm T|X has been set to English. Three other options are available: German, Spanish or French.

Note that the PSAnalyzer application remains in English regardless of the Palm T|X language.

The Palm T|X language can only be changed by performing a Hard Reset which also erases all user data along with the PSAnalyzer application. Therefore if the user requires to change the language, they should do so immediately after charging the unit and before they start using it.

### A. Remove the Palm T|X from the PSA-T



Lift the two latches close to the top of the unit and remove the silver top cover (see drawing). Remove the Palm T|X by gripping its sides and pulling it towards the top edge of the spectrum analyzer. (Note that the connector is a tight fit and that a hard pull may be needed).

### B. Perform a Hard Reset

1. Press and hold the power button.
2. While holding the power button, use the tip of the stylus to gently press and release the reset button.
3. Wait for the Palm Powered™ logo to appear (not the first Palm logo), and then release the power button.
4. A message appears warning that all information will be erased. Press the Up key of the 5-way Navigator to finish the reset.

The unit will then take some time to reset and reload the operating system. When complete, the user will be prompted to set alignment of the touch screen and then to select a language.

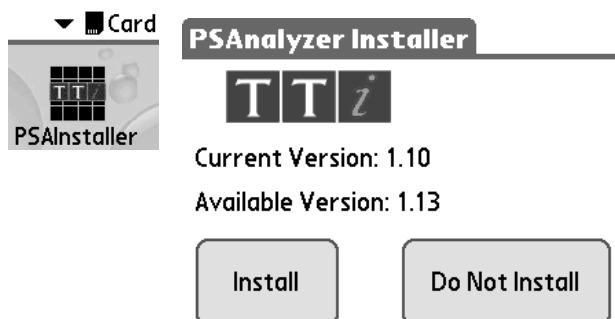
The operating system will then reload once more, after which the user will be prompted to connect the device to their computer and to install the Palm software CD (this is not essential - read the full manual before doing so - translations are on the TTI CD in PDF format). Continue onwards to enter location, time and date. Press Done (or Fertig, Hecho, Terminé) to complete the set-up.

---

### C. Reinstall the PSAnalyzer Application

The memory card supplied with the PSA-T includes a backup copy of the application and an Installer program which will install PSAnalyzer into the main memory of the Palm T|X.

Remove and re-insert the memory card. The Applications screen will appear showing the utility program PSInstaller. Select this application and follow the on-screen instructions.



When completed, return to the normal Applications screen by selecting the drop down menu at the top right and select "All" in place of "Card".

### D. Re-fit the Palm T|X

Remove the Stylus from the Palm T|X. Fit the Palm T|X onto the connector by pushing it firmly in the line of the instrument.

Ensure that the two fixing latches are open. Locate the top cover onto the rear of the instrument and lower it down, then operate the two fixing latches to secure it. Refit the Stylus.

Issue 5